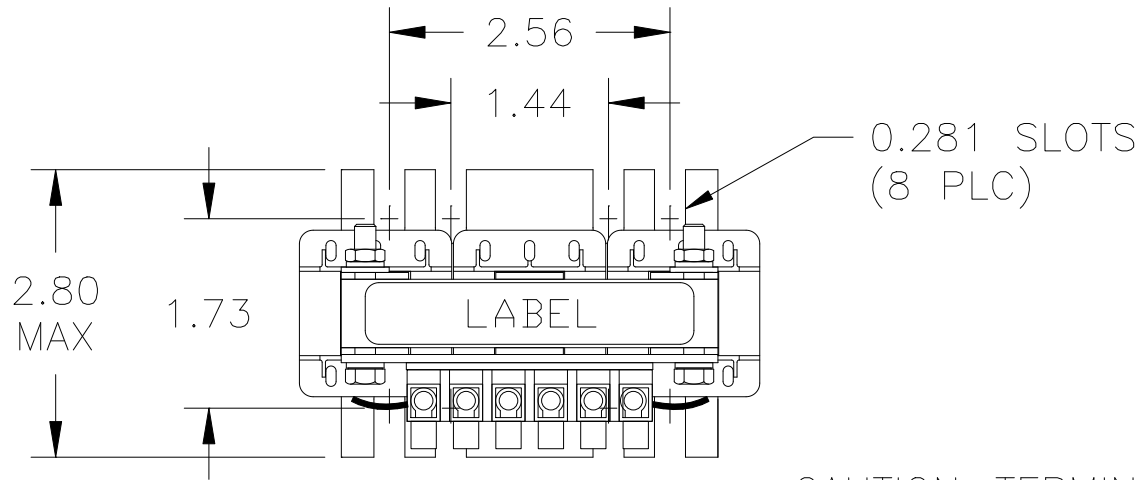


FILE: J:\CUSTDWG\CATRL\CD-00204

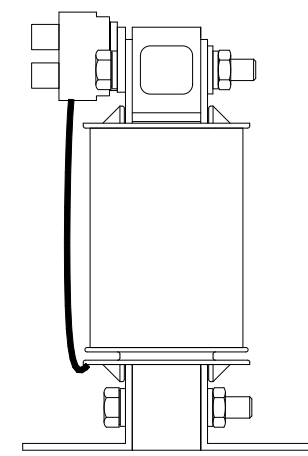
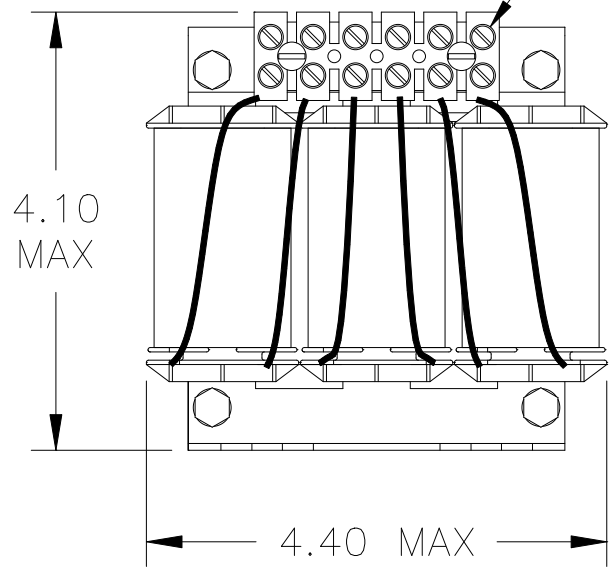
INDUCTANCE	LOSSES	WEIGHT
6 mH	10.7 Watts	3 Lbs

NO.	CHANGE DESCRIPTION	BY	DATE	C'K'D
-----	--------------------	----	------	-------



WIRE RANGE: 22-10 AWG

CAUTION-TERMINAL SCREW TIGHTENING TORQUE: 4.5 in-lb MAX.



UNLESS OTHERWISE SPECIFIED, DIMENSIONS ARE IN INCHES [mm] AND TOLERANCES ARE:

DECI. FRAC.

ANGLES DRILLED HOLES

PART NAME:	3-PHASE REACTOR
DESCRIPTION:	OUTLINE DIMENSION
FINISH:	

MTE CORPORATION MENOMONEE FALLS, WISCONSIN			
RL-00204			REV. 10
SCALE	NTS	DATE	03/06/90
REF.	DR. BY	SJW	APP'D